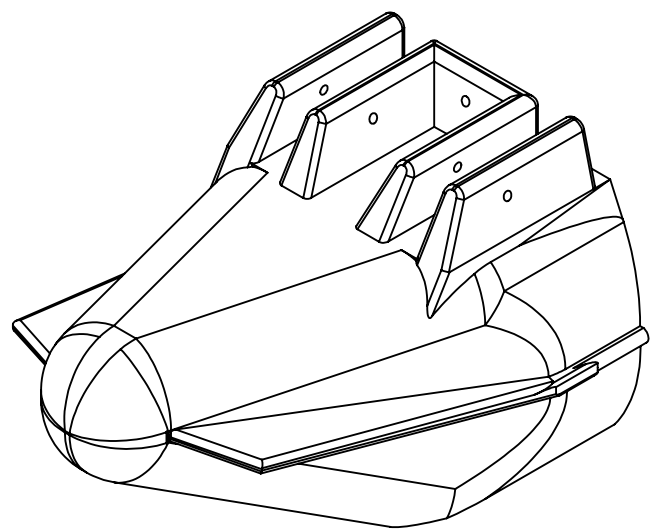
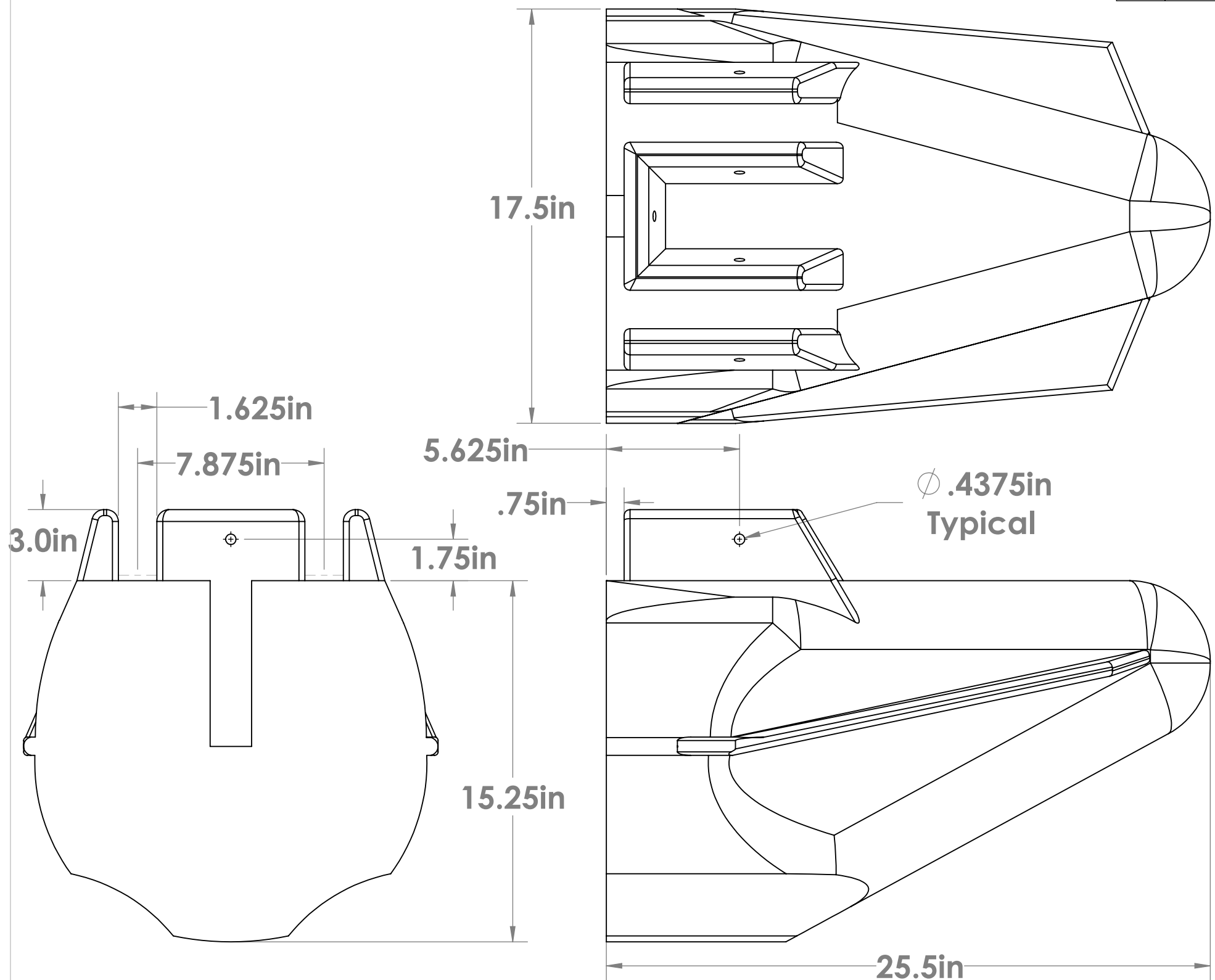
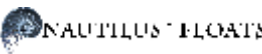


REVISIONS				
ZONE	REV.	Hole diameter changed from 0.375" to real 0.4375"	08-10-2015	APPROVED



NOT IN SCALE		DRAWN BY	DATE	 NAUTILUS FLOATS www.nautilusfloats.com Phone +1 325-646-1566	TITLE: PONTOON 17IN GW NOSE	REVISION
STATUS:	RELEASED	AB	11/26/2014			03-24-2017
NAUTILUS FLOATS <small>ALL DIMENSIONS, DESIGNS, AND INFORMATION ON THIS PRINT MUST BE CONSIDERED PROPRIETARY TO NAUTILUS FLOATS AND MAY NOT BE USED, COPIED, OR DISTRIBUTED WITHOUT WRITTEN PERMISSION OF AN OFFICER (OR HIS AGENT) OF THE FIRM.</small>				<small>TOLERANCES</small> LINEAR = $\pm 3\%$ OF DIMENSION	PART NO. BLACK # 45460 BLUE # 45464	ENG. ID. 4546x
SHEET 1 OF 1						