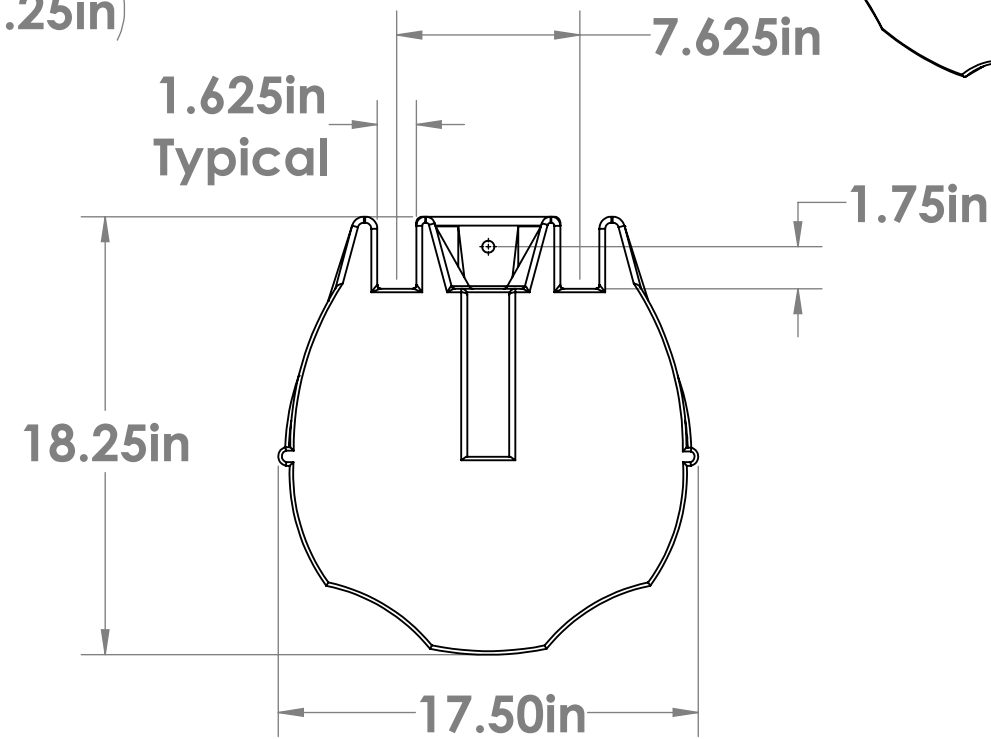
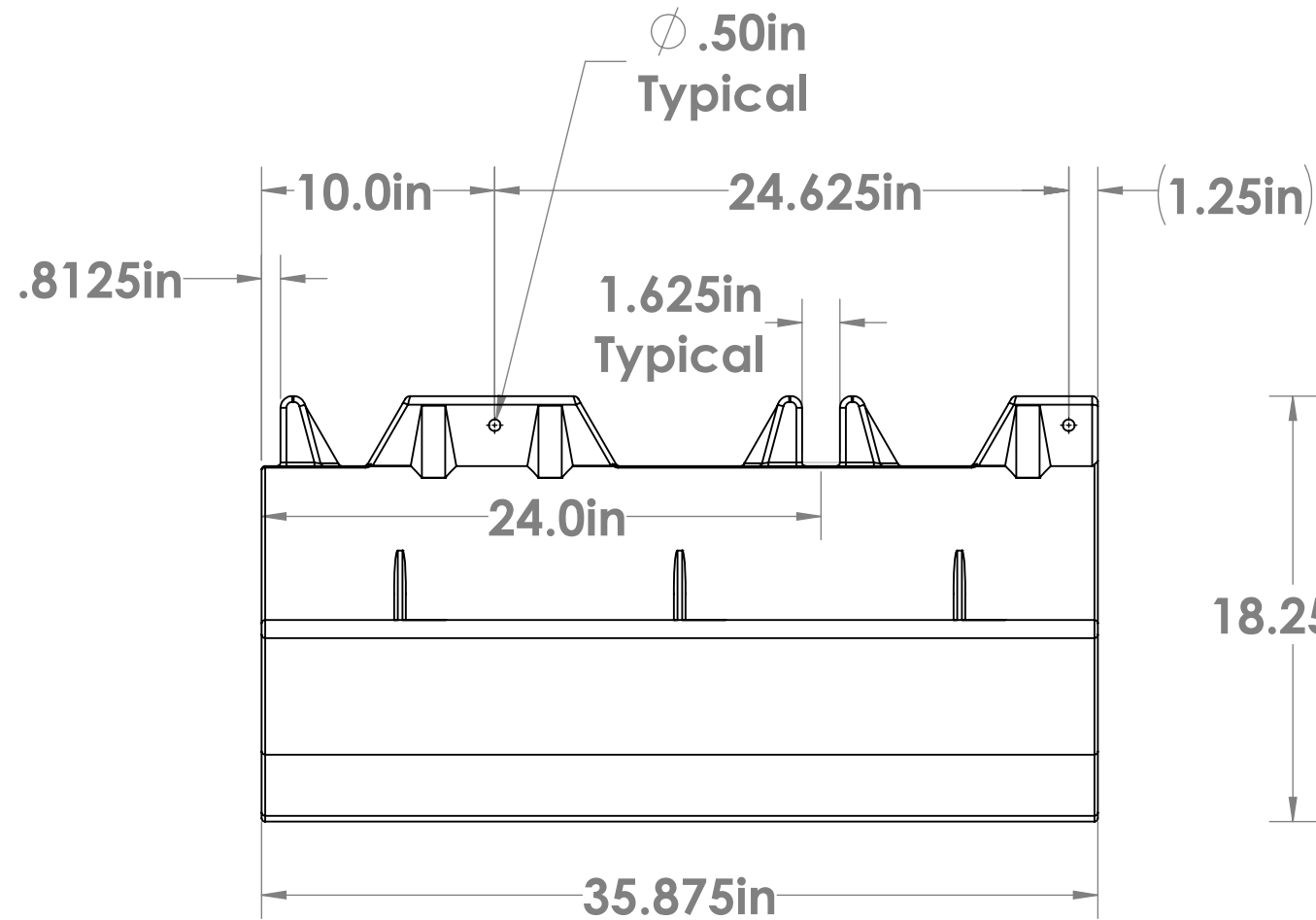
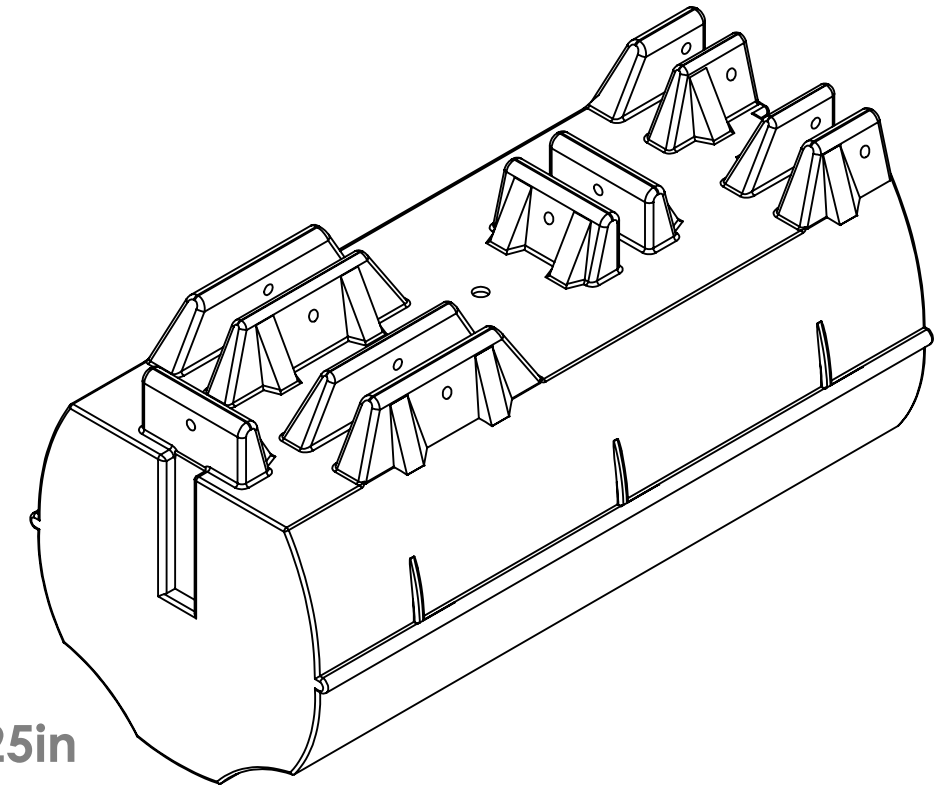
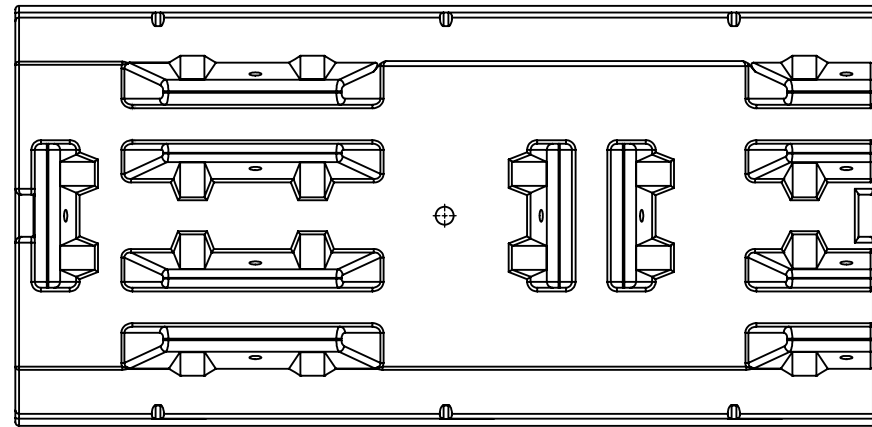
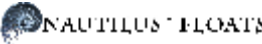


REVISIONS				
ZONE	REV.	Diameter of Holes Changed from 0.375" to real 0.5"	08-10-2015	APPROVED



NOT IN SCALE	DRAWN BY	DATE	 www.nautilusfloats.com Phone +1 325-646-1566	TITLE:	REVISION
STATUS: RELEASED	AB	11/21/2014		PONTOON 17 IN GW BODY	08-10-2015
NAUTILUS FLOATS			TOLERANCES LINEAR = ±3% of DIMENSION	PART NO. BLACK # 45450 BLUE # 45454	SHEET 1 OF 1
<small>ALL DIMENSIONS, DESIGNS, AND INFORMATION ON THIS PRINT MUST BE CONSIDERED PROPRIETARY TO NAUTILUS FLOATS AND MAY NOT BE USED, COPIED, OR DISTRIBUTED WITHOUT WRITTEN PERMISSION OF AN OFFICER (OR HIS AGENT) OF THE FIRM.</small>					